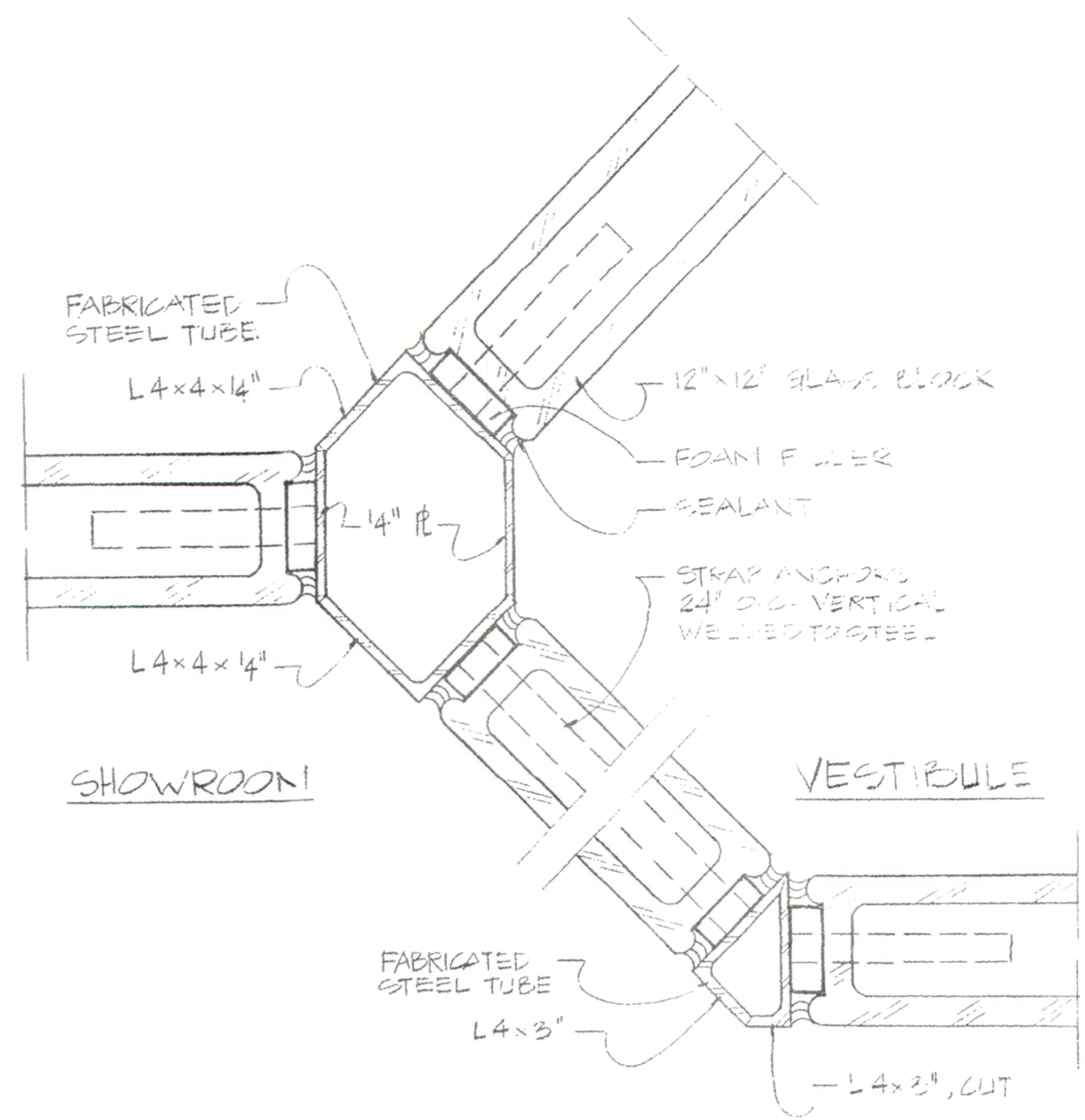
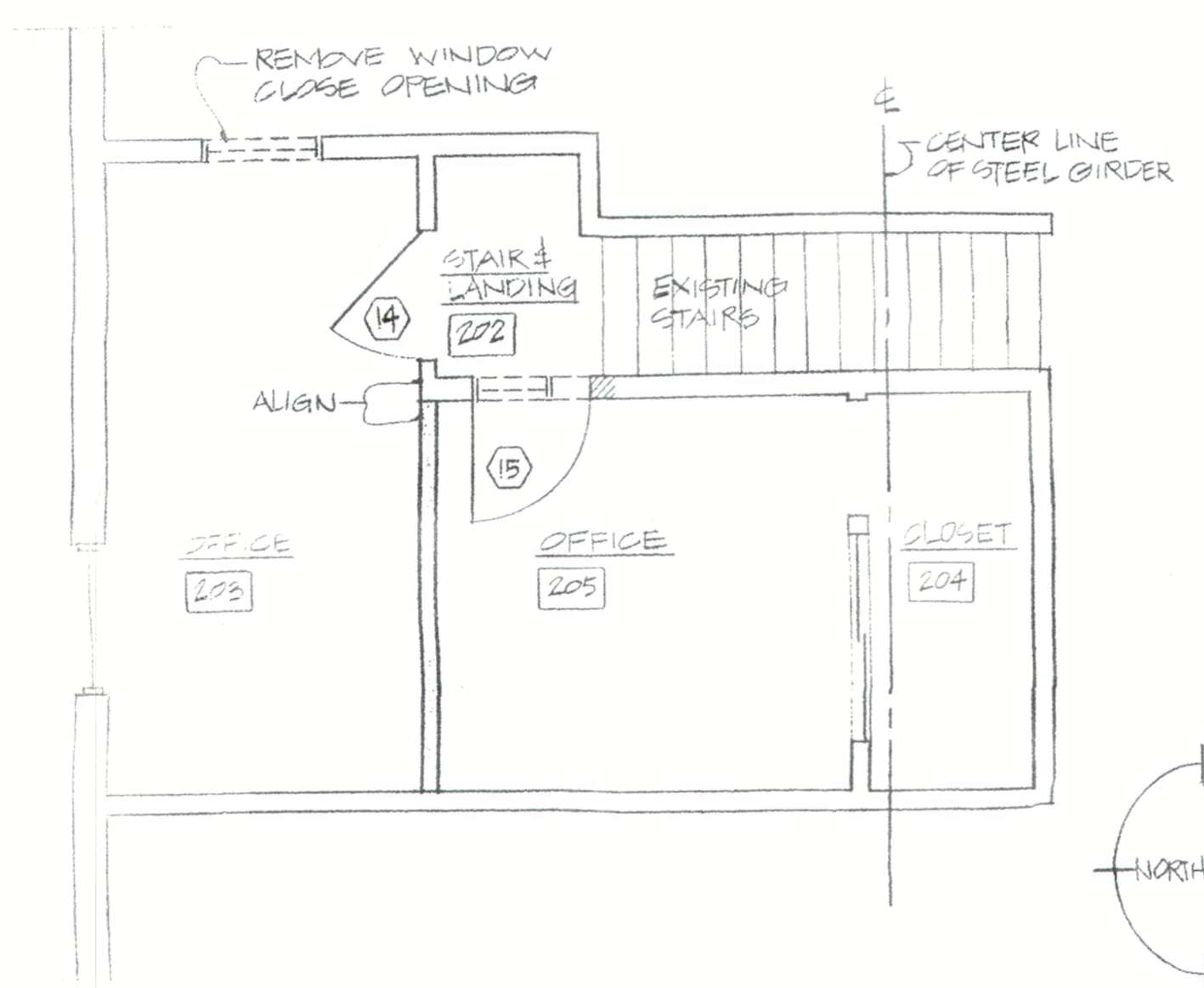


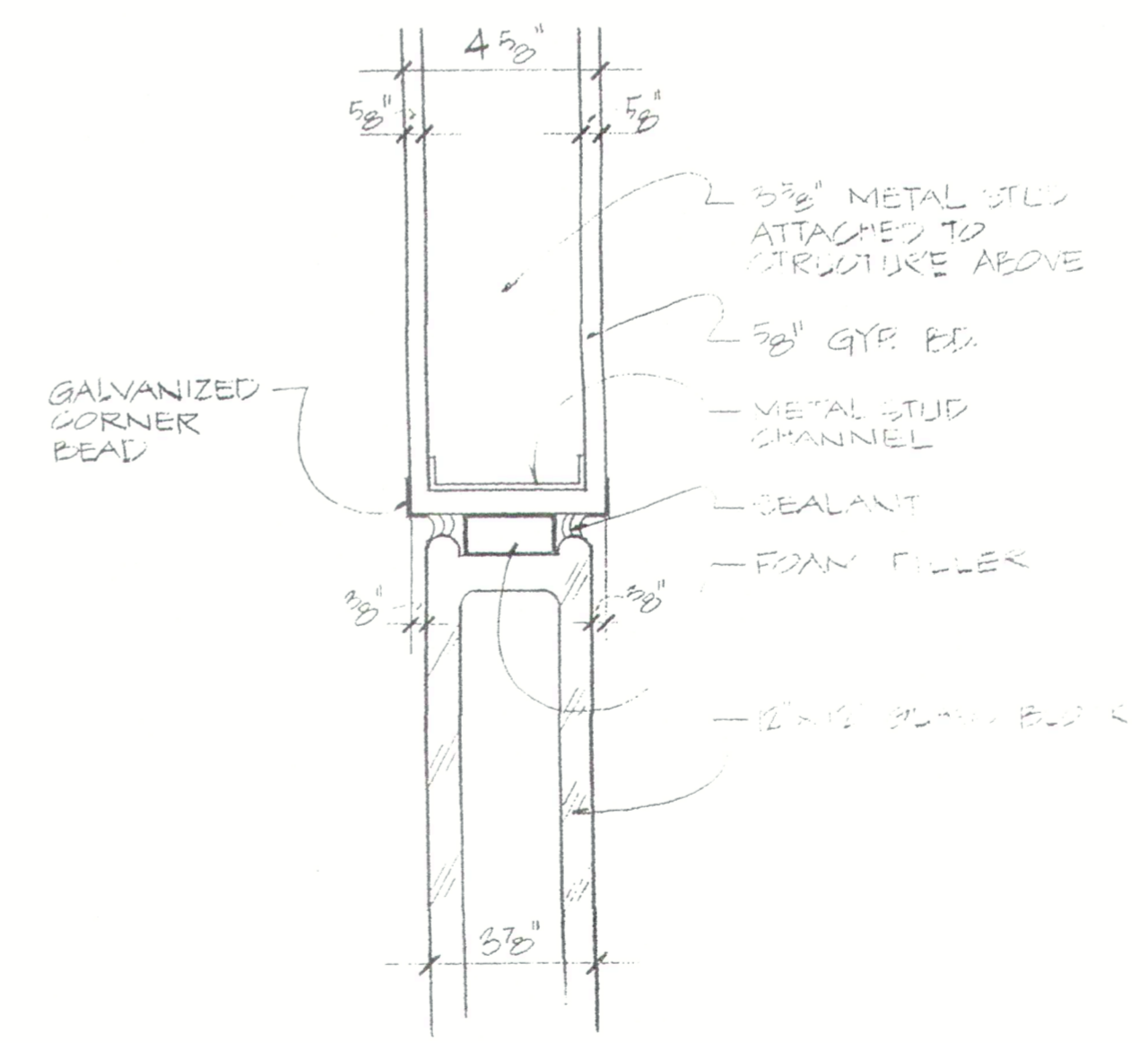
SECOND FLOOR - PARTS DEPT.
SCALE 1/4" = 1'-0"



DETAIL 1
SCALE 3/8" = 1'-0"



SECOND FLOOR - OFFICE
SCALE 1/4" = 1'-0"
Min. 8'-0" ceiling height



DETAIL 2
SCALE 3/8" = 1'-0"

ALTERATION <u>CONVERSION</u> 75 ROUTE 309 TOWN OF CLARK-TOWN		WEST NYACK NEW YORK		DETAILS	
			Richard A. Hetzel, Architect 15 Remson Street Box 686 Nyack, New York 10960-0686 (914) 358-6556		
	DRAWN BY LJM	SCALE AS NOTED	DATE JULY 1989		
	DRAWING NUMBER A7				